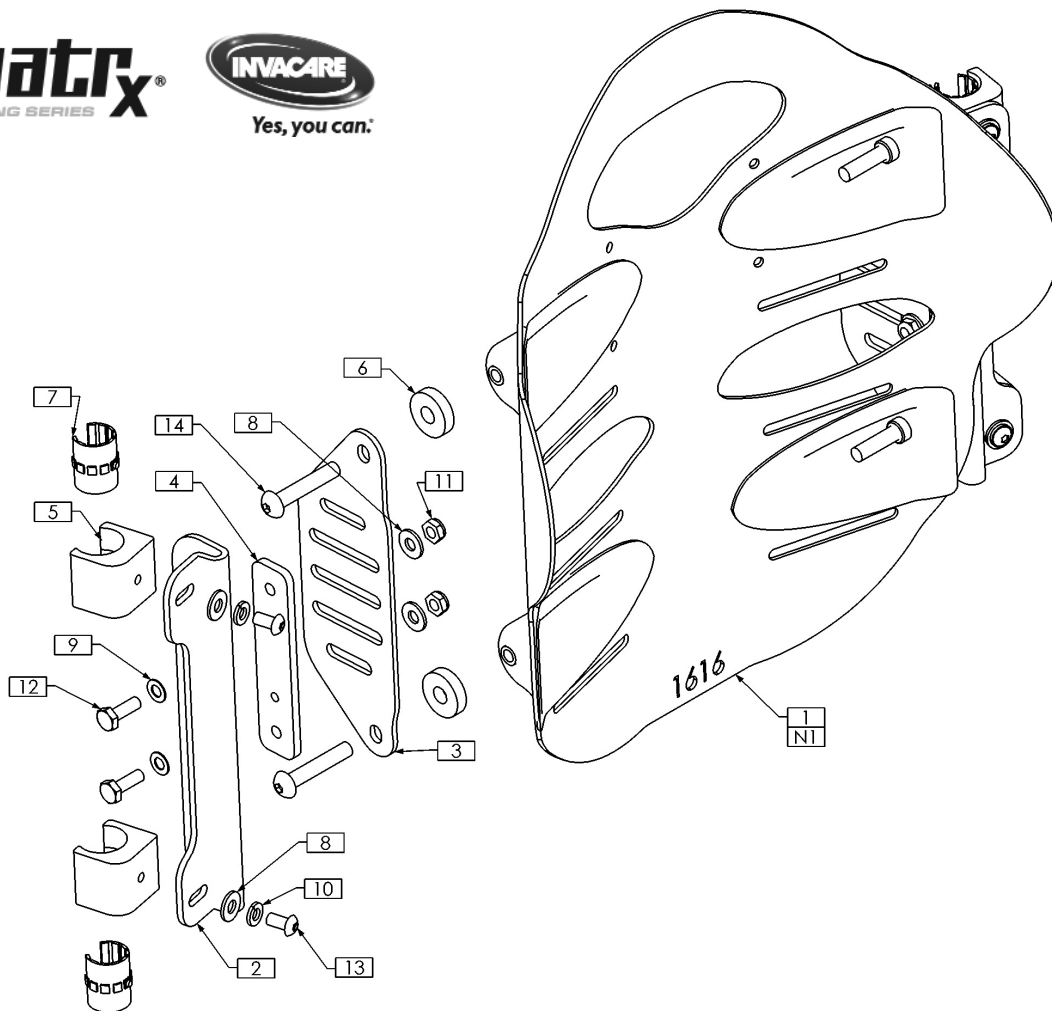


Installation Instructions:

ESRMH- Extended Shear Reduction Mounting Hardware Assembly for the IVC-Matrix Elite Back

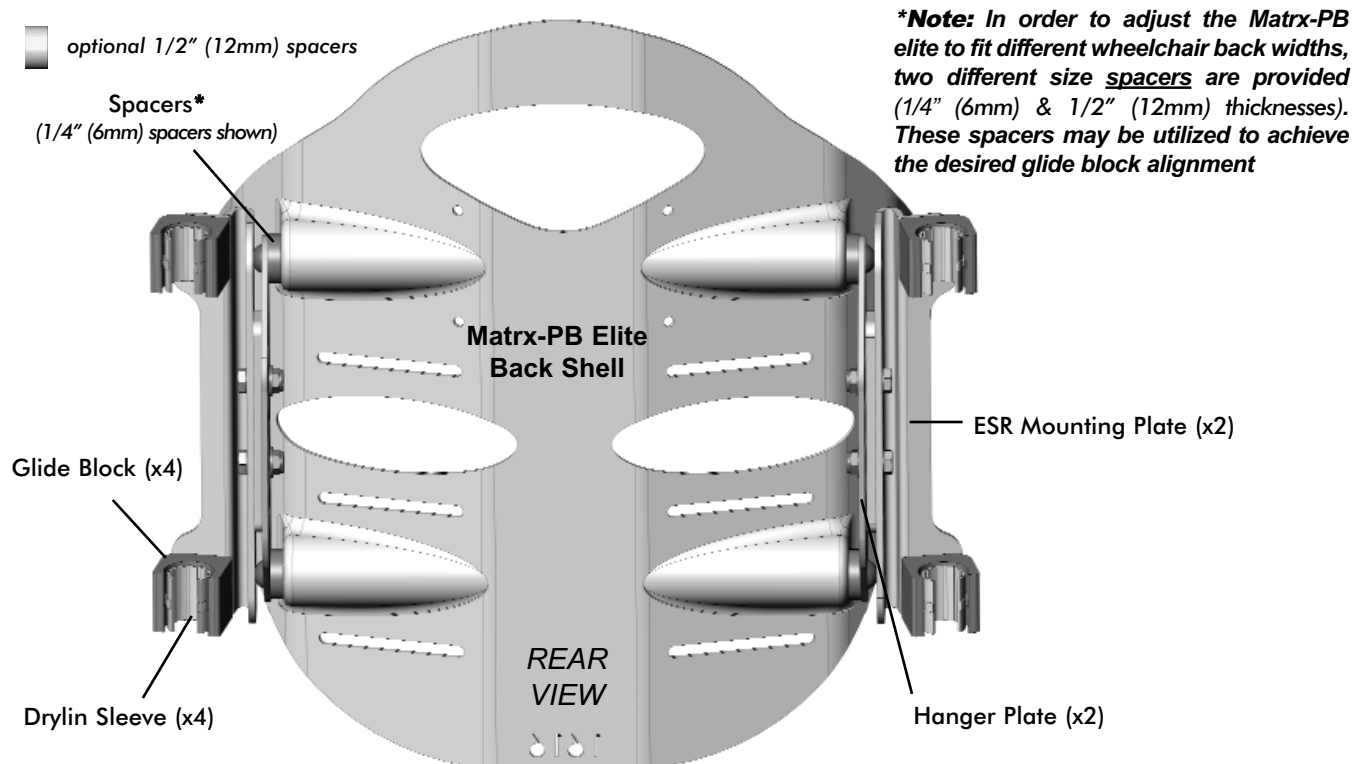


NOTES:
1. FOAM PAD AND COVER NOT SHOWN

ITEM NO.	QTY.	PART NO.	DESCRIPTION
1	1	TRS0132	ELITE POSTURE BACK CUSHION ASS'Y, SPACE SAVER HARDWARE
2	2	TRX2677	ESR MOUNTING PLATE
3	2	TRX4228	HANGER PLATE, FIXED
4	2	TRX4350	ADAPTER PLATE
5	4	TRX5236	ESR GLIDE BLOCK
6	4	TRM0648-250	SPACER, 3/8" ID X 1" OD X 1/4" THK
7	4	TRM0792	DRYLIN SLEEVE, IGUS JUMO-02-20
8	8	TRH0101	1/4" FLAT WASHER, SAE, BZ
9	4	TRH0112	1/4" x 1/2" OD x 0.027" TH FLAT WASHER, BZ
10	4	TRH0115	1/4" LOCK WASHER, BZ
11	4	TRH0202	1/4-20 SHALLOW NYLOC NUT, BZ
12	4	TRH0306	1/4-20 x 3/4" HEX HEAD CAP SCREW, GR5, BZ
13	4	TRH0429	1/4-20 x 1/2" BUTTON SOCKET CAP, ALLOY STEEL, BZ
14	4	TRH0449	5/16-24 x 1 1/4" BUTTON SOCKET CAP, ALLOY STEEL, BZ

IMPORTANT! Prior to installation, the existing wheelchair back (*if present*), and any associated mounting hardware must first be removed.

Extended Shear Reduction Retro-Fit Kit for the IVC-Matrix Elite Back



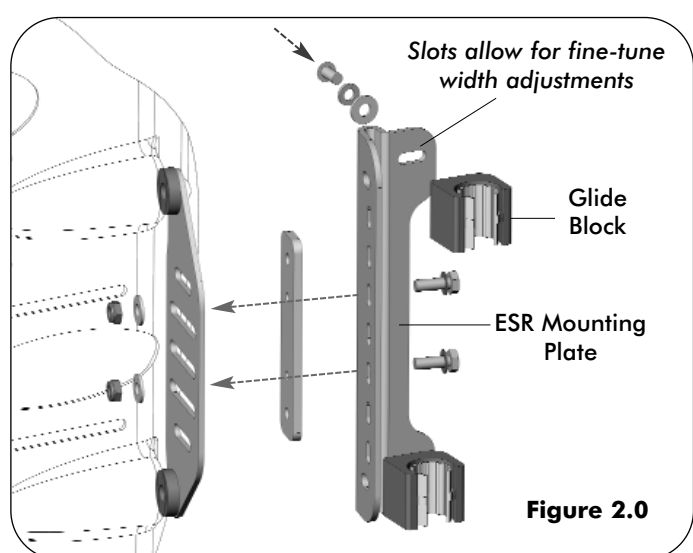
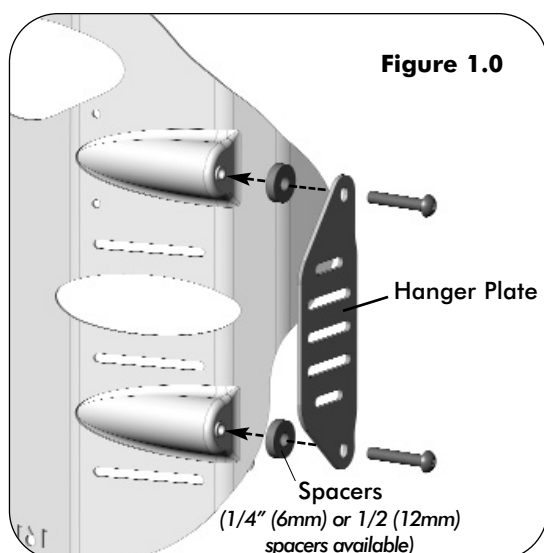
1.0 ESR Mounting Plate Installation:

1. For ease of installation, the outer cover may be removed from the Matrix-PB elite back shell by releasing the velcro fasteners along the bottom and top of the back pan.
2. Remove any existing mounting brackets from the PB-elite back shell and install the Hanger Plates using the hardware & spacers* provided (as indicated in **Figure 1.0** below).

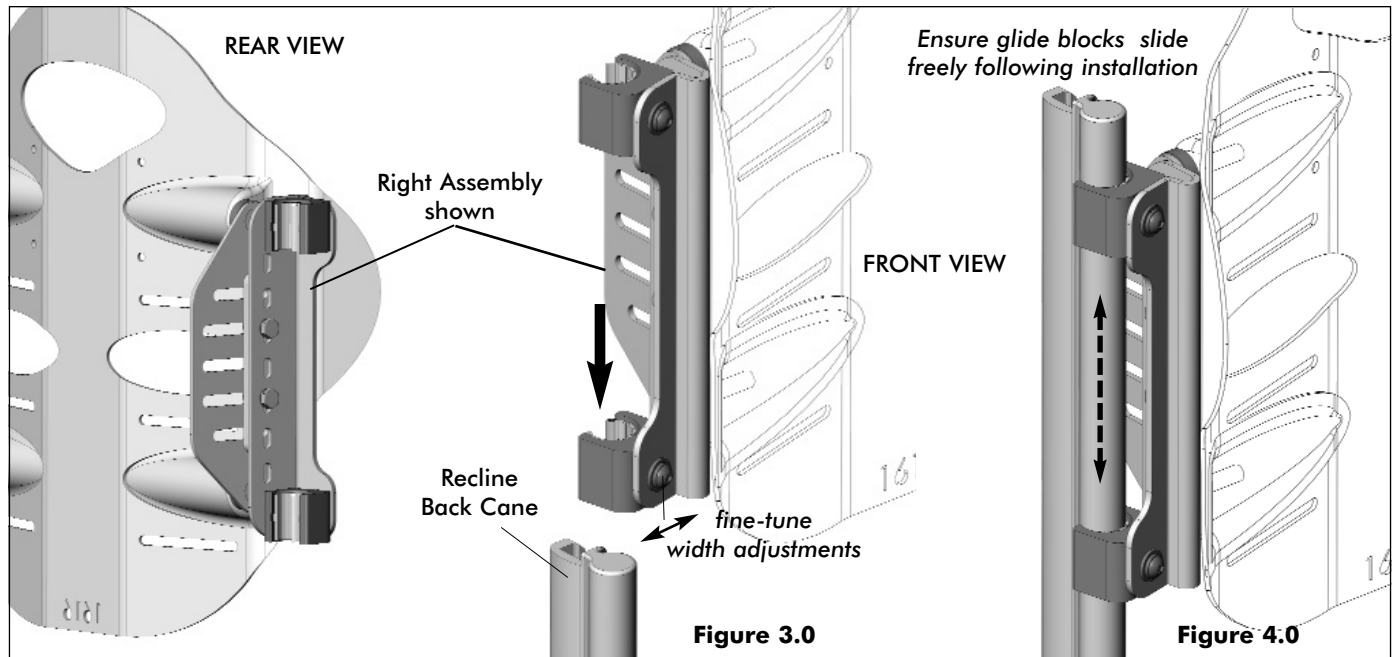
***Note:** The Spacers provided come in 2 different thicknesses to adjust the plate position (width) and allow proper glide block alignment with the back canes, please select the size that provides the best alignment with the back canes.

3. Install the Glide Blocks (x4) onto the ESR Mounting Plate as indicated below in **Figure 2.0**, using the hardware provided. Do not fully tighten hardware at this time.

Note: The slots in the ESR Mounting plates allow for fine-tune width adjustment of the glide blocks for installation onto the recline back canes)



Extended Shear Reduction Retro-Fit Kit for the IVC-Matrxx Elite Back

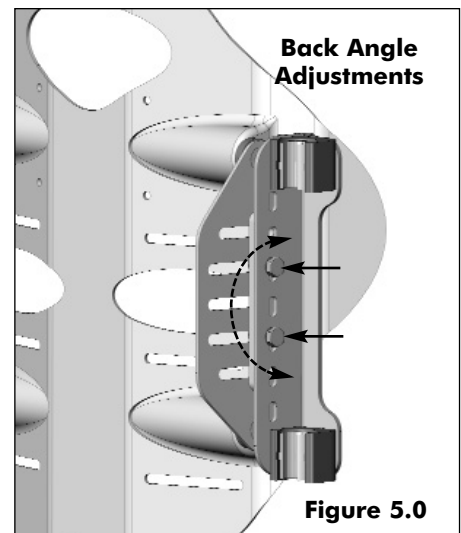


4. Align the glide blocks (and drylin sleeves) with the top of the recline canes and slide them downward onto the canes as shown above in **Figures 3.0** and **4.0**.

5. With both brackets (*glide blocks x4*) installed on the back canes, ensure the the back can slide freely along the back canes (i.e. no binding), and tighten the glide blocks into place on the ESR mounting bracket.

6. Back angle adjustments can be made by loosening the hardware that secures the ESR Mounting Plate to the Hanger Plate (both sides) and rotating the back shell to the desired back angle (via the slots in the Hanger Plate) see **Figure 5.0** at right. Re-tighten the hardware following the adjustment to secure the back into position. (**Note: angle adjustments must be made equally on both brackets**).

NOTE: Securing the back shell to the wheelchair requires specialized ESR linkages and brackets (sold separately). Please refer to the manufacturer's installation instructions provided with your ESR Linkage Kit.





www.motionconcepts.com

USA

700 Ensminger Rd. Suite 112
Tonawanda, NY, USA 14150
716-447-0050
888-433-6818

Canada

84 Citation Dr. Units 1-3
Concord, Ontario,
Canada L4K 1C9
905-695-0134
866-748-7943